



Wired Push Button

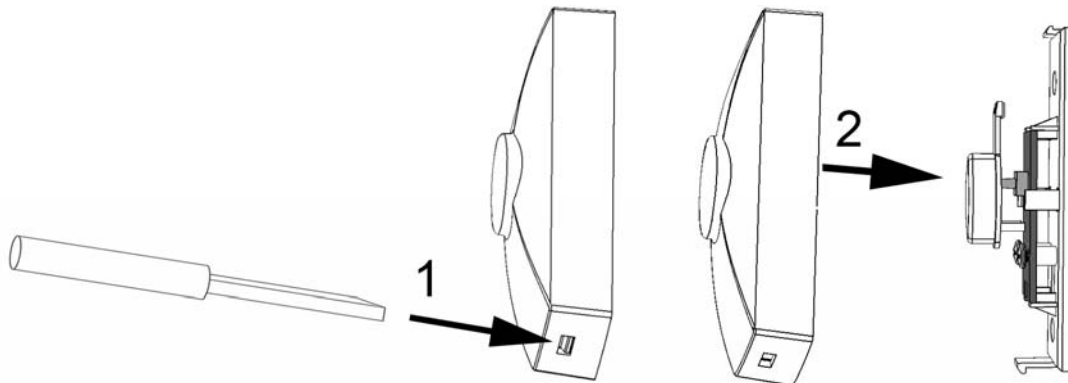
This button is not recommended for use on systems which exceed 16 volts.

Included hardware:
(2) 3x20mm screws

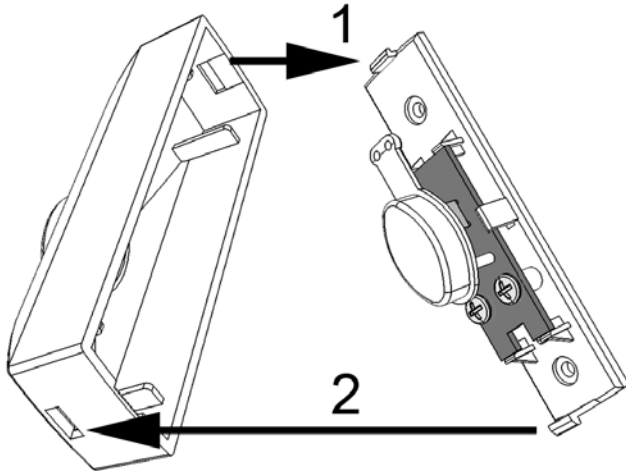
Installation

Push buttons are typically mounted at the same height above the door sill as the door knob or handle (between 36" and 44" above the sill).

Taking out the back cover of the push button:



1. Locate the two door chime wires emanating from the existing door chime circuit.
2. Test the door chime by touching the two wires together, completing the circuit. If the door chime does not sound, check the chime transformer or chime.
3. Turn off power.
4. Attach one wire to each of the screw terminals on the back of the button.
5. Mount the button in the desired location with two (2) screws provided. Install according to applicable local electrical codes.
6. Close the back cover.



Ratings: 16 V Maximum

! Warning

Risk of electric shock

- . Turn off power before replacing switch

Risk of fire

- . Do not exceed electrical ratings

**For technical support contact Jasco Products Company at 1-800-654-8483
or www.jascoproducts.com**

Made in China



is a trademark of
General Electric Company
and is used under license to
Jasco Products Company LLC,
311 N.W. 122nd Street,
Oklahoma City, OK 73114.
www.jascoproducts.com

Rev. 1-07

19216